



## Art-Lynx I/P

### Category

C) Ethernet and Art-Net

### Description

Two DMX512 universes to Art-Net Ethernet converter



### Mechanical

- Housing: DIN Rail Case
- Material: Polycarbonate Plastic - UL94-V0 rated
- Overall Dimensions: 106mm (W) x 110mm (H) x 62mm (D)
- Mass: 0.22kg
- Mounting: DIN Rail (35mm) or Surface Mount
- Country of Manufacture: United Kingdom

### Power & Electrical

- Input Voltage: 9-48 VDC
- PoE supported
- Input Connector: 2-pin pluggable screw terminal
- Input Power (max): 2W
- Duty Cycle: 80% @ 25°C
- DC fuse: Internal resettable fuse for control electronics

### Environmental

- Operating Temperature: 0°C to 40°C
- Storage Temperature: -10°C to +50°C
- Operating Relative Humidity (max): 80% Non-Condensing
- IP Rating: IP20 Indoor Use Only
- Certification: CE FCC, WEEE, RoHS
- Warranty: 2 Year (Return to Base)

### Configuration / Indication

- Remote: Web-Browser / DMX-Workshop
- Manual: Wheels / Jumpers
- Configurable settings include: Net, Sub-Net, Universe, IP address (DHCP), ROM boot
- LED Indication: Power / Ethernet Link / DMX Activity

### Control / Data connections

- Control: 2 Universes (input)
- Input Protocols: DMX512, DMX512(1990), DMX512-A
- Output Protocols: Art-Net
- DMX Connector: (2) 3-pin screw terminals
- Ethernet Connector: (1) RJ45 supports 10BaseT and PoE, isolated to 1 kV

### DMX512 Inputs

- Input mode: ground referenced
- Input isolation: n/a
- Input ESD protection: +/- 12kV
- Input voltage protection: +/- 80 V

### Package Contents

- Art-Lynx I/P
- User Guide
- Jumpers (for configuration pins)

### Ordering Info

Product Code: Art-Lynx I/P

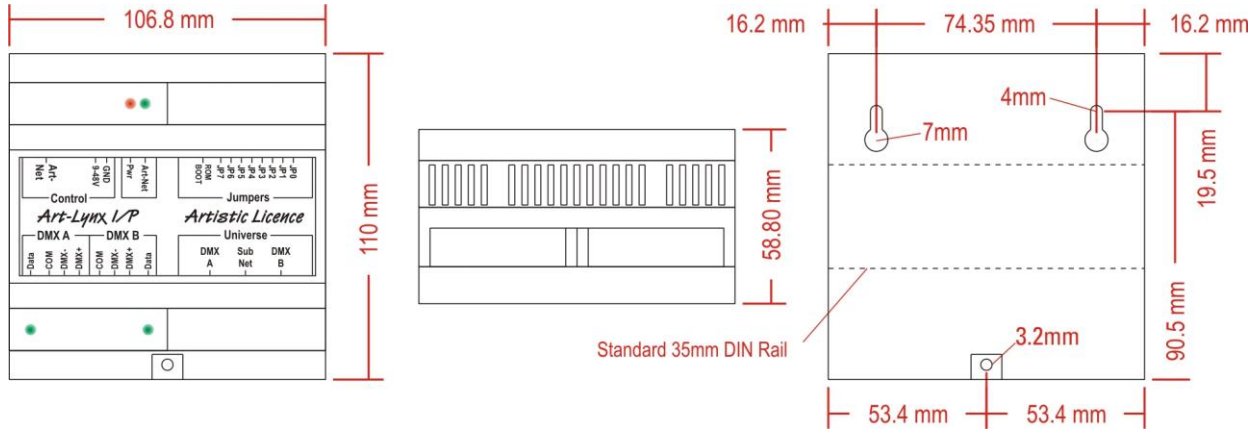
Accessories (not included):

PSU-24-2.5-DR (powers up to 2 units)

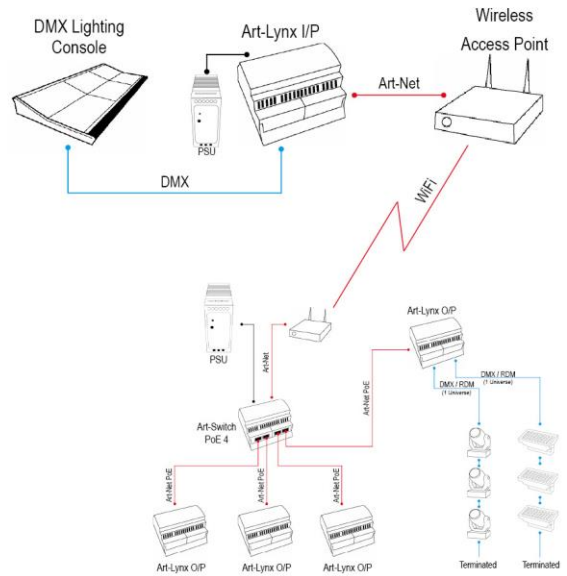
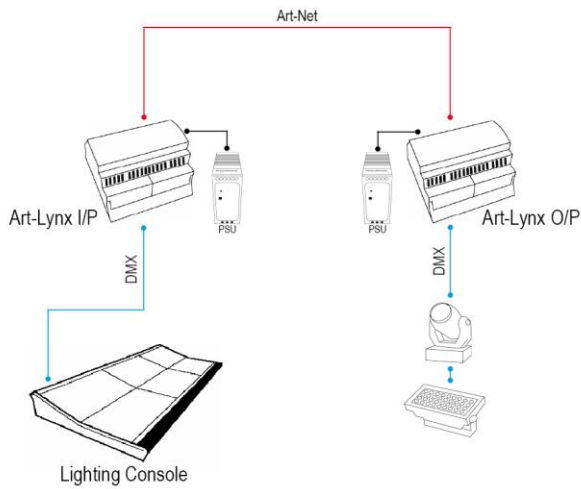
Art-Switch PoE4 & PSU-48-1-DR (powers up to 4 units)



## Mounting Drawing



## Application Drawing



### Artistic Licence Engineering Ltd

Studio 1, Spectrum House  
32-34 Gordon House Road  
London, NW5 1LP  
United Kingdom

Telephone +44 (0)20 8863 4515  
Fax +44 (0)20 8426 0551  
Email: [Sales@ArtisticLicence.com](mailto:Sales@ArtisticLicence.com)  
[www.ArtisticLicence.com](http://www.ArtisticLicence.com)

Customer support and knowledge base:  
[www.ArtisticLicence.com/support.html](http://www.ArtisticLicence.com/support.html)

All products are covered from date of purchase by a two-year return to base warranty.

Due to our policy of continuing product improvement, specifications are subject to change without notice.

# Artistic Licence

Art-Lynx I/P

