



Cata-Lynx I/P

Category

C) Ethernet and Art-Net

Description

Two universe DMX512 to Art-Net Ethernet converter



Mechanical

- Housing: 19" 1U Rack Enclosure
- Material: Metal
- Overall Dimensions: 1RU (H) x 19" Rack (W) x 257mm (D)
- Mass: 2.3kg
- Mounting: Desktop or 19" Rack Mounting (with supplied Rack Ears)
- Country of Manufacture: United Kingdom

Power & Electrical

- Input Voltage: 90-250 VAC
- Input Connector: IEC C13 male
- Input Power (max): 30W
- Duty Cycle: 80% @ 25°C
- Mains Fuse: 3.15A slow blow
- DC fuse: internal resettable fuse for control electronics

Environmental

- Operating Temperature: 0°C to 40°C
- Storage Temperature: -10°C to +50°C
- Operating Relative Humidity (max): 80% Non-Condensing
- IP Rating: IP20 Indoor Use Only
- Certification: CE FCC, WEEE, RoHS
- Warranty: 2 Year (Return to Base)

Configuration / Indication

- Remote: Web-Browser / DMX-Workshop
- Manual: Wheels / Jumpers
- Configurable settings include: Net, Sub-Net, Universe, IP address (DHCP), ROM boot
- LED indication: Power / Ethernet Link / Data Activity / Speed

Control / Data Connections

- Control: 2 Universes (input)
- Input Protocols: DMX512-A
- Input Connector: (2) 5-pin male XLR
- Loop-through Connector: (2) 5-pin female XLR
- Output Protocols: Art-Net
- Ethernet Connector: (1) RJ45 Ethercon, supports 10/100BaseT, isolated to 1kV

DMX512 Inputs

- Input mode: Ground Referenced
- Input isolation: n/a
- Input ESD protection: +/- 12 kV
- Input voltage protection: +/- 80 V

Package Contents

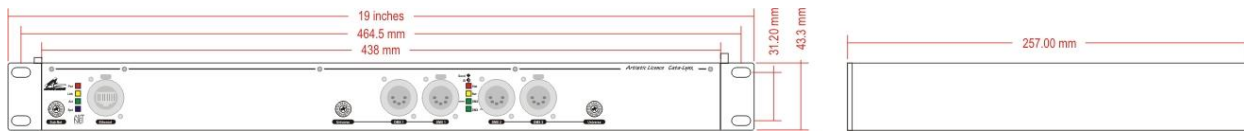
- Cata-Lynx I/P
- User Guide
- IEC Mains Lead
- Rack-Ears
- Jumpers (for configuration pins)

Ordering Info

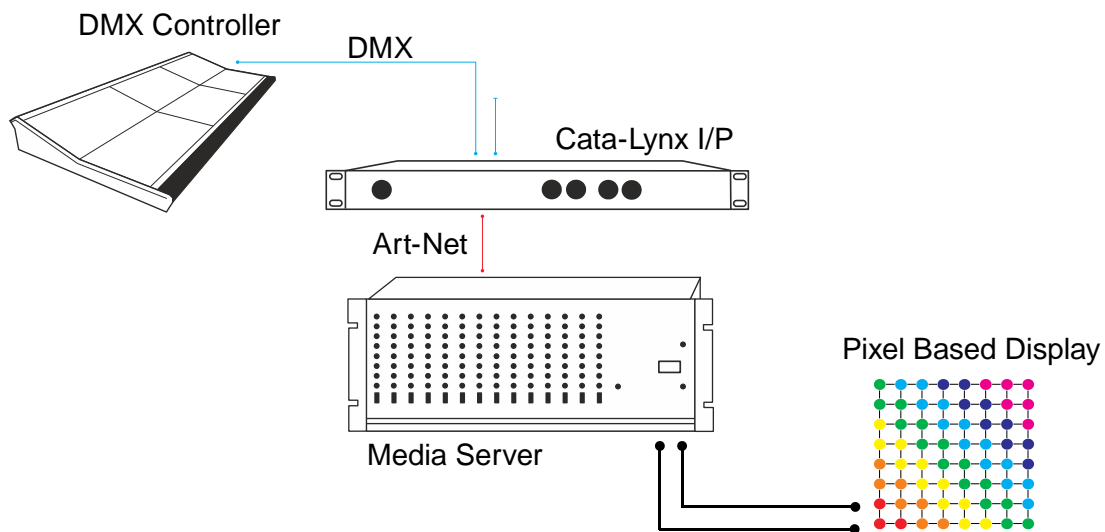
Product Code: Cata-Lynx I/P



Mounting Drawing



Application Drawing



The DMX controller is used to trigger a pre-programmed media server. Cata-Lynx I/P is used to convert DMX512 to Art-Net.



Artistic Licence Engineering Ltd

Studio 1, Spectrum House
32-34 Gordon House Road
London, NW5 1LP
United Kingdom

Telephone +44 (0)20 8863 4515
Fax +44 (0)20 8426 0551
Email: Sales@ArtisticLicence.com
www.ArtisticLicence.com

Customer support and knowledge base:
www.ArtisticLicence.com/support.html

All products are covered from date of purchase by a two-year return to base warranty.



Due to our policy of continuing product improvement, specifications are subject to change without notice.

Artistic Licence

Cata-Lynx I/P