



## daliSwitch

### Category

E) Interface Products

### Description

6 Mains Relays controlled via DALI



### Mechanical

- Housing: DIN Rail Case
- Material: Lexan Plastic - UL94-V0 rated
- Overall Dimensions: 90mm (H) x 88mm (W) x 62mm (D)
- Mass: 0.2kg
- Mounting: 35mm DIN Rail or Surface Mount
- Country of Manufacture: United Kingdom
- Relay Mechanical Life: 1,000,000 Cycles

### Power & Electrical

- Input Voltage: 9 -24 VDC
- Input Connector: (1) 2-pin Screw Terminal DC Voltage Input
- Input Power (max): 10W
- Duty Cycle: 100% @ 25°C
- DC fuse: internal resettable fuse for control electronics

### Environmental

- Operating Temperature: 0°C to 40°C
- Storage Temperature: -10°C to +50°C
- Operating Relative Humidity (max): 80% Non-Condensing
- IP Rating: IP20 Indoor Use Only
- Certification: CE FCC, WEEE, RoHS
- Warranty: 2 Year (Return to Base)

### Configuration / Indication

- Configuration: DALI commands
- LED indication: Power / DALI / Non-Commission / Relay

### Control / Data connection

- Input Protocol: DALI
- Input Connector: (1) 2-pin Screw Terminal
- Output Connectors: (6) 3-pin Screw Terminal (Relay Contacts)

### Input / Output

- DALI Input: isolated
- Relay Maximum switching voltage: 250VAC
- Relay Maximum peak current: 8A
- Relay Rated load (AC1 non-inductive): 2,000VA
- Relay Rated load (AC15 inductive): 500VA
- Relay Rated load (Single phase motor): 0.37kW
- Relay Minimum load: 500mW
- Relay style: volt-free
- Relay type: changeover
- Relay isolation: 1 kV between contacts

### Package Contents

- daliSwitch
- User guide

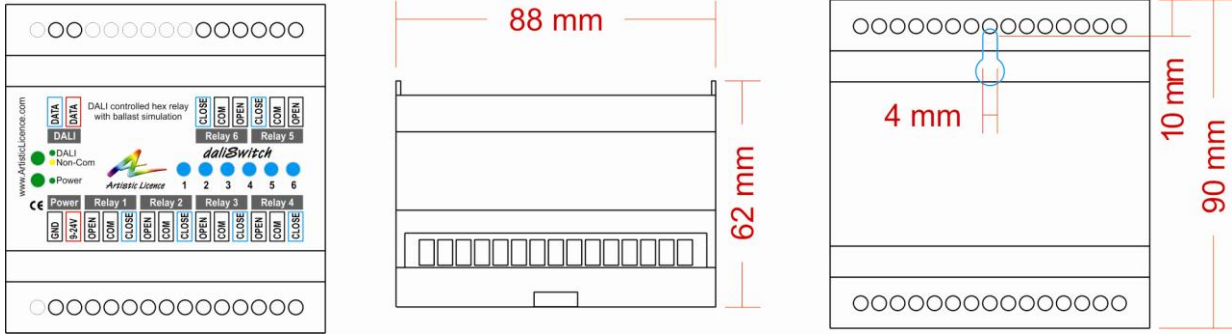
### Ordering Info

Product Code: daliSwitch

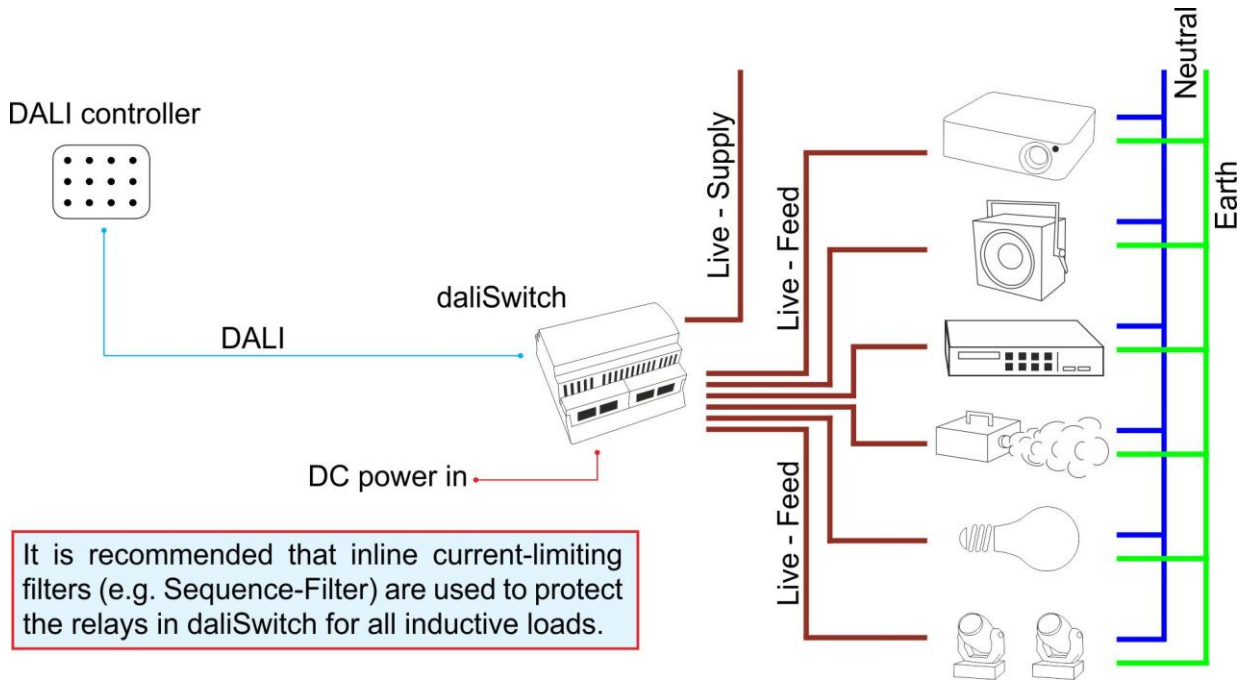
Accessories (not included): PSU-24-2-DR, Sequence Filter



## Mounting Drawing



## Application Drawing



### Artistic Licence Engineering Ltd

Studio 1, Spectrum House  
32-34 Gordon House Road  
London, NW5 1LP  
United Kingdom

Telephone +44 (0)20 8863 4515  
Fax +44 (0)20 8426 0551  
Email: Sales@ArtisticLicence.com  
www.ArtisticLicence.com

Customer support and knowledge base:  
www.ArtisticLicence.com/support.html

All products are covered from date of purchase by a two-year return to base warranty.

Due to our policy of continuing product improvement, specifications are subject to change without notice.

# Artistic Licence

daliSwitch

