



Data-Lynx IO/P

Category

C) Ethernet and Art-Net

Description

Art-Net or sACN Ethernet to DMX512 and DMX512 to Art-Net converter. RDM supported with Art-Net.



Mechanical

- Housing: 19" 1U Rack Enclosure
- Material: Metal
- Overall Dimensions: 1RU (H) x 19" Rack (W) x 257mm (D)
- Mass: 2.8kg
- Mounting: Desktop or 19" Rack Mounting (supplied Rack Ears)
- Country of Manufacture: United Kingdom

Power & Electrical

- Input Voltage: 90-250 VAC
- Input Connector: IEC C13 Male
- Input Power (max): 30W
- Duty Cycle: 80% @ 25°C
- Input Fuse: 3.15A Slow Blow
- DC fuse: internal resettable fuse for control electronics

Environmental

- Operating Temperature: 0°C to 40°C
- Storage Temperature: -10°C to +50°C
- Operating Relative Humidity (max): 80% Non-Condensing
- IP Rating: IP20 Indoor Use Only
- Certification: CE FCC, WEEE, RoHS
- Warranty: 2 Year (Return to Base)

Configuration / Indication

- Remote: Web-Browser / DMX-Workshop
- Manual: Wheel / Jumpers
- Configurable settings include: Net, Sub-Net, Universe, IP Address (DHCP), DMX output profile, ROM Boot, RDM Disable
- LED indication: Power / Ethernet Link / Data Activity / Speed

Control / Data Connections

- Control: 6 universes input, 6 universes output
- Input Protocols: Art-Net, sACN, DMX512, DMX512(1990), DMX512-A
- Output Protocols: Art-Net, DMX512, DMX512(1990), DMX512-A, RDM V1.0 (E1.20 - 2006 ESTA Standard)
- Ethernet connector: (2) RJ45 (Ethercon) support 10/100BaseT, isolated to 1kV
- DMX input connector: (6) 5-pin male XLR
- DMX output connector: (6) 5-pin female XLR

DMX512 Ports

- Input mode: Ground referenced
- Input isolation: N/A
- Input ESD protection: >= 2kV
- Input voltage protection: -7V to +12V
- Output mode: ground referenced
- Output isolation: n/a
- Output ESD protection: >= 2kV
- Output voltage protection: -7V to +12V
- Output conditioning: slew-rate limited

Package Contents

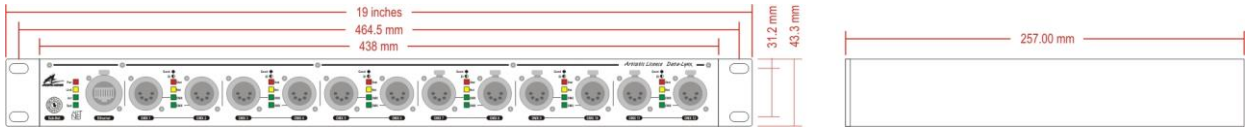
- Data-Lynx IO/P
- User Guide
- IEC Mains Lead
- Rack-Ears
- Jumpers (for configuration pins)

Ordering Info

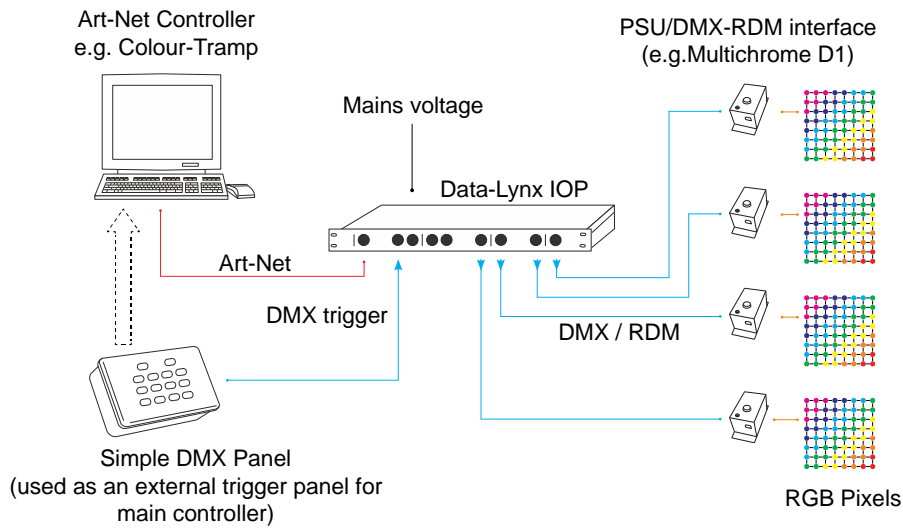
Product Code: Data-Lynx IO/P



Mounting Drawing



Application Drawing



A Colour-Tramp controller is running a show on an LED pixel product driven by intelligent power supplies (such as Multichrome D1). The system responds to triggers from an external DMX panel. Data-Lynx IOP forms the interface between all elements of the system: it converts the panel DMX signals into Art-Net for triggering Colour-Tramp, and converts the Art-Net show programme into DMX/RDM for consumption by the intelligent PSUs driving the fixtures.



Artistic Licence Engineering Ltd

Studio 1, Spectrum House
32-34 Gordon House Road
London, NW5 1LP
United Kingdom

Telephone +44 (0)20 8863 4515
Fax +44 (0)20 8426 0551
Email: Sales@ArtisticLicence.com
www.ArtisticLicence.com

Customer support and knowledge base:
www.ArtisticLicence.com/support.html

All products are covered from date of purchase by a two-year return to base warranty.



Due to our policy of continuing product improvement, specifications are subject to change without notice.

Artistic Licence