



DMX-Buffer

Category

A) DMX Splitters & Wireless DMX

Description

A DMX & RDM line booster / buffer with XLR or RJ45 (Ethercon) Connections



Mechanical

- Housing: Metal Desktop Case
- Material: Steel
- Overall Dimensions: 88mm (W) x 58mm (H) x 42mm (D)
- Mass: 0.2kg
- Mounting: Free-standing or Surface Mounted
- Country of Manufacture: United Kingdom

Power & Electrical

- Input Voltage: 9VDC
- Input Connector: DC Jack
- Input Power (max): 5W
- Duty Cycle: 80% @ 25°C
- DC fuse: internal resettable fuse for control electronics

Environmental

- Operating Temperature: 0°C to 40°C
- Storage Temperature: -10°C to +50°C
- Operating Relative Humidity (max): 80% Non-Condensing
- IP Rating: IP20 Indoor Use Only
- Certification: CE, WEEE, RoHS
- Warranty: 2 Year (Return to Base)

LED Indication

- Power / Data

Control / Data connections

- Control: 1 Port DMX Booster / Buffer
- Input Protocols:
 - DMX512, DMX512(1990), DMX512-A
 - RDM V1.0 (E1.20 - 2006 ESTA Standard)
- Input Connector: 5pin Male XLR or RJ45 (Ethercon)
- Output Protocols: Same as input
- Output Connector: 5pin Female XLR or RJ45 (Ethercon)

DMX input & output protection

- Input mode: Ground Referenced
- Input isolation: n/a
- Input ESD protection: 12 kV
- Input voltage protection: n/a
- Output mode: Buffered
- Output isolation: n/a
- Output ESD protection: 10 kV
- Output voltage protection: n/a

Package Contents

- DMX-Buffer XLR or DMX-Buffer RJ45
- User Guide

Ordering Info

Product Code:

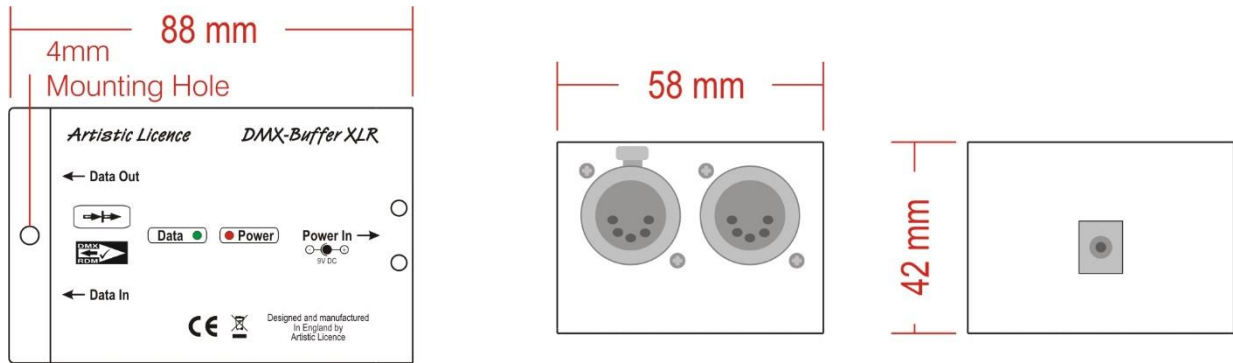
DMX-Buffer XLR or
DMX-Buffer RJ45

Accessories (not included):

PSU-9-1.5-DCJ

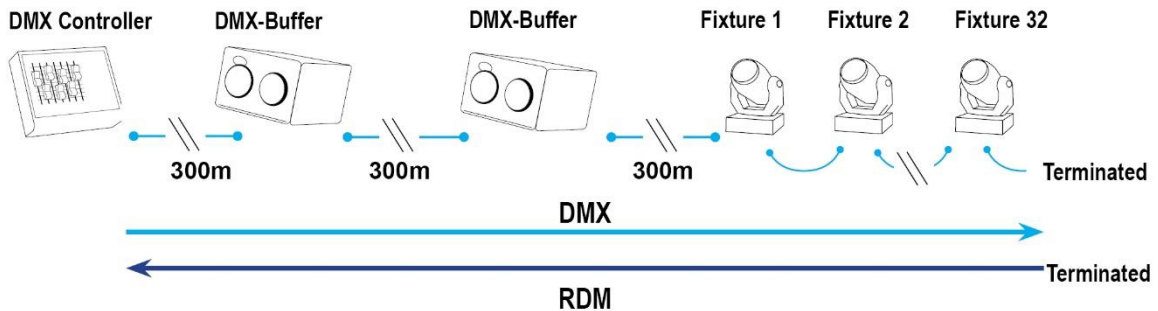


Mounting Drawing



Application Drawing

In the diagram below, two DMX-Buffer products are used to provide an extra 600m of cable run.



www.ArtisticLicence.com

Artistic Licence, The Mould Making Workshop
Soby Mews, Bovey Tracey, TQ13 9JG, UK

Sales@ArtisticLicence.com
Support@ArtisticLicence.com
Tel: +44 (0) 20 8863 4515

Due to our policy of continuing product improvement specifications are subject to change without notice

