



## Flexed-Up

### Category

A2) LED - Constant Voltage

### Description

3 Channel High Power Low Voltage Dimmer for Constant Voltage LEDs

### Mechanical

- Housing: DIN Rail Case
- Overall Dimensions: 71.5mm (W) x 91mm (H) x 61mm (D)
- Mass: 0.1kg
- Mounting: DIN Rail or Surface Mount
- Country of Manufacture: The United Kingdom

### Electrical

- Input Voltage: 12V DC
- Input Connector: Screw Terminal (2.5mm<sup>2</sup> max wire size)
- Input Power (max): 144W
- Output Voltage: Same as Input
- Output Connector: Screw Terminal (2.5mm<sup>2</sup> max wire size)
- Output Current: 12A @ 12V (4A per channel)
- Duty Cycle: 80% @ 25°C

### Environmental

- Operating Temperature: 0°C to 40°C
- Storage Temperature: -10°C to +50°C
- Operating Relative Humidity (max): 80% Non-Condensing
- IP Rating: IP20 Indoor Use Only
- Certification: CE FCC, WEEE, RoHS
- Warranty: 2 Year (Return to Base)

### User Interface

- Connections:
  - (1) 2pin Screw Terminal DC Voltage Input
  - (1) 4pin Screw Terminal Output
  - (1) 2pin Screw Terminal Remote Switch
- Configuration: Sequence Selection



### Control

- Control: Self-Controlled PRF Outputs (3 channels)
- Input Control:
  - Internal Push Button Switch
  - Remote Switch Contact Closure
- Input Connector: Screw Terminal (2.5mm<sup>2</sup> max wire size)
- Output Protocols: Pseudo Random Frequency
- Output Connector: Screw Terminal (2.5mm<sup>2</sup> max wire size)
- Configuration: Sequence Selection
- Custom shows can be programmed

### Isolation / Protection

- Protection:
  - Internal Electronic Resettable Fuse - Control Electronics

### Package Contents

- Flexed-Up
- User Guide

### Ordering Info

Product Code: Flexed-Up  
(Requires external PSU)

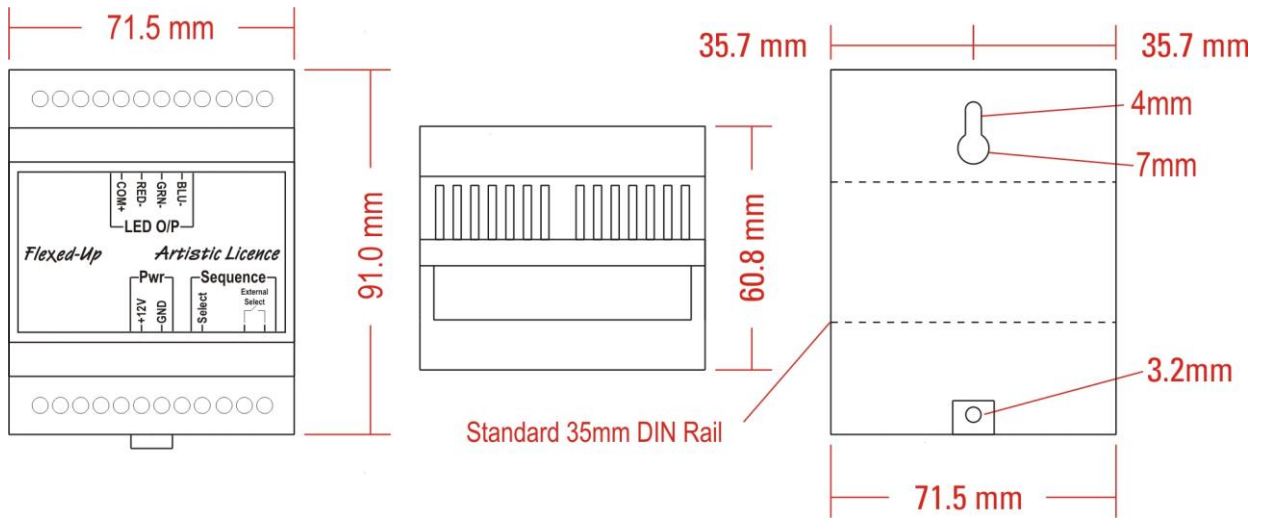
Accessories (not included):

PSU-12-10-DR

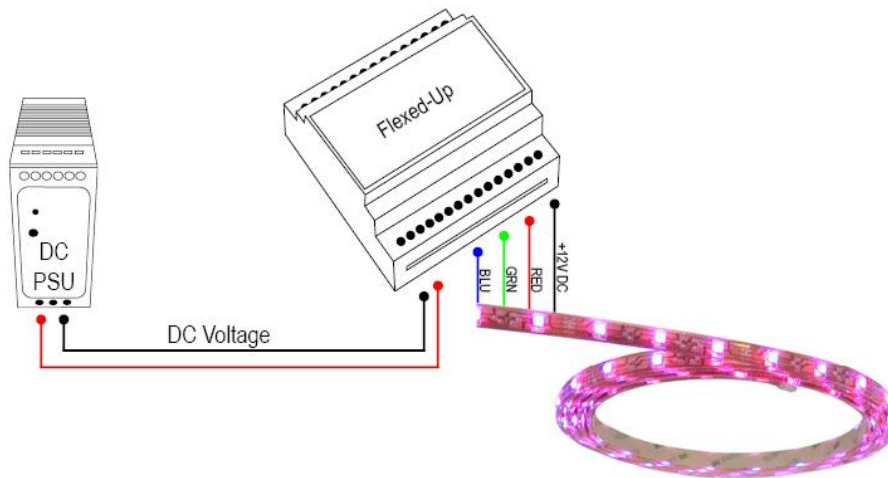
PSU-12-6-DR



## Mounting Drawing



## Wiring Drawing



### Artistic Licence Engineering Ltd

Studio 1, Spectrum House  
32-34 Gordon House Road  
London, NW5 1LP  
United Kingdom

Telephone +44 (0)20 8863 4515  
Fax +44 (0)20 8426 0551  
Email: [Sales@ArtisticLicence.com](mailto:Sales@ArtisticLicence.com)  
[www.ArtisticLicence.com](http://www.ArtisticLicence.com)

Customer support and knowledge base:  
[www.ArtisticLicence.com/support.html](http://www.ArtisticLicence.com/support.html)

All products are covered from date of purchase by a two-year return to base warranty.

Due to our policy of continuing product improvement, specifications are subject to change without notice.

## Artistic Licence

Flexed-Up

