



Rail-Demux

Category

E) Interface Products

Description

DMX512 to 16 channel Analogue Converter



Mechanical

- Housing: DIN Rail Case
- Material: Lexan Plastic - UL94-V0 rated
- Overall Dimensions: 90mm (H) x 88mm (W) x 58mm (D)
- Mass: 0.2kg
- Mounting: 35mm DIN Rail or Surface Mount
- Country of Manufacture: United Kingdom

Power & Electrical

- Input Voltage: 24 VDC
- Input Power (max): 15W
- Input Connector: (1) 2-pin Screw Terminal
- Duty Cycle: 100% @ 25°C
- DC fuse: internal resettable fuse for control electronics

Environmental

- Operating Temperature: 0°C to 40°C
- Storage Temperature: -10°C to +50°C
- Operating Relative Humidity (max): 80% Non-Condensing
- IP Rating: IP20 Indoor Use Only
- Certification: CE, WEEE, RoHS
- Warranty: 2 Year (Return to Base)

Configuration / Indication

- Configuration: Start Address (via RDM)
- LED Indication: Power / DMX Input

DMX Input

- Protocols: DMX512, DMX512(1990), DMX512-A, RDM V1.0 (E1.20 - 2010)
- Input mode: non-isolated
- Input ESD protection: 12 kV
- Connectors: (1) 3-pin Screw Terminal DMX Input; (1) 4-pin Screw Terminal DMX Loop/Term

Analogue Outputs

- 16 Analogue outputs - ANSI E1.3 - 2001 (R2016)
- Voltage: Adjustable 0 to 11 VDC
- Current (max): 4mA
- Signal connector: (2) 8-pin Screw Terminals
- Ground connector: (1) 4-pin Screw Terminal

Package Contents

- Rail-Demux
- User Guide

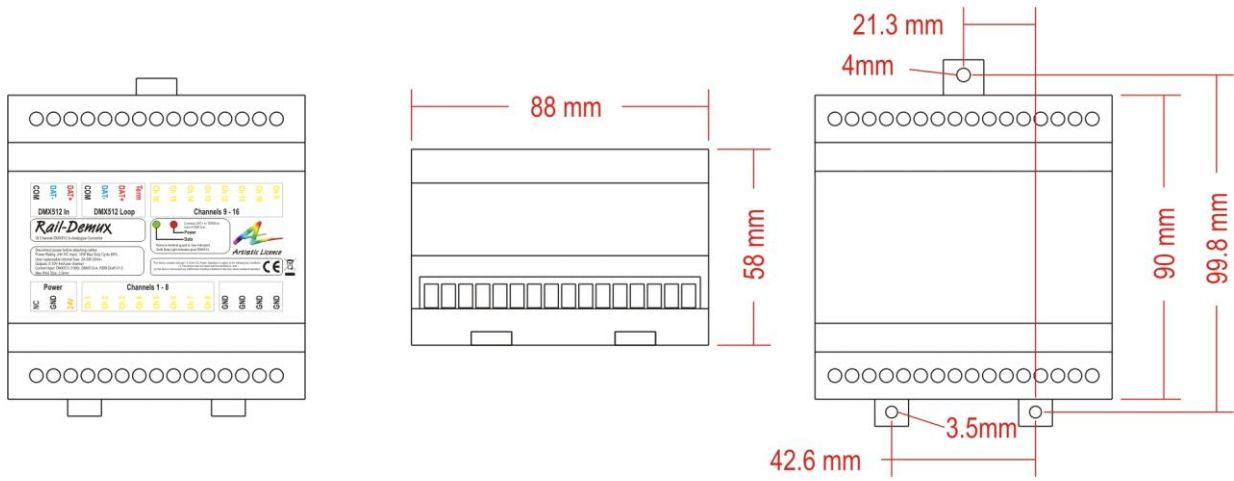
Ordering Info

Product Code: Rail-Demux

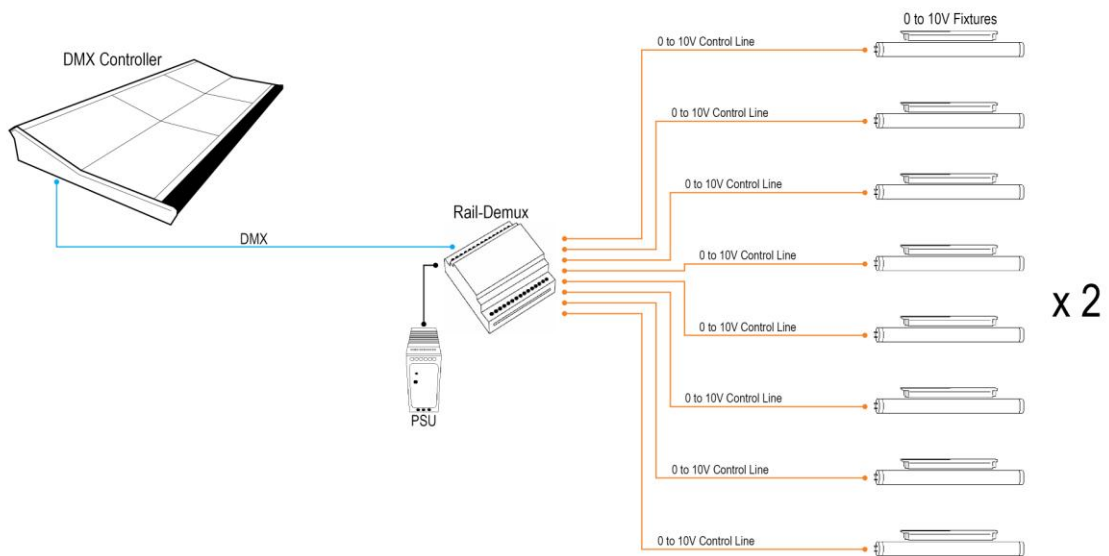
Accessories (not included): PSU-24-2-FER



Mounting Drawing



Application Drawing



Artistic Licence Engineering Ltd

Studio 1, Spectrum House
32-34 Gordon House Road
London, NW5 1LP
United Kingdom

Telephone +44 (0)20 8863 4515
Fax +44 (0)20 8426 0551
Email: Sales@ArtisticLicence.com
www.ArtisticLicence.com

Customer support and knowledge base:
www.ArtisticLicence.com/support.html

All products are covered from date of purchase by a two-year return to base warranty.

Due to our policy of continuing product improvement, specifications are subject to change without notice.

Artistic Licence

