



## Rail-Merge

### Category

A) DMX Splitters & Wireless DMX

### Description

Product for merging two DMX inputs to one DMX output, housed in a DIN rail enclosure

### Mechanical

- Housing: DIN rail case
- Material: Lexan Plastic - UL94-V0 rated
- Overall Dimensions: 88mm (W) x 90mm (H) x 62mm (D)
- Mass: 0.25kg
- Mounting: 35mm DIN Rail or Surface Mount
- Country of Manufacture: United Kingdom

### Power & Electrical

- Input Voltage: 9-48 VDC
- Input Connector: (1) 2-pin screw terminal
- Input Power (max): 1W
- Duty Cycle: 100% @ 25°C
- DC fuse: internal resettable fuse for control electronics

### Environmental

- Operating Temperature: 0°C to 40°C
- Storage Temperature: -10°C to +50°C
- Operating Relative Humidity (max): 80% Non-Condensing
- IP Rating: IP20 Indoor Use Only
- Certification: CE, WEEE, RoHS
- Warranty: 2 Year (Return to Base)

### Configuration / Indication

- Manual: (8) DIP switches
- Configurable options include: remote or standalone mode, LTP or HTP merge, B input merge offset, concatenate mode (standalone mode only)
- LED indication: Power / Merging status / Input data activity



### Control / Data connections

- Input Protocols: DMX512, DMX512(1990), DMX512-A
- Output Protocols: DMX512-A
- Input connector: (2) 3-pin screw terminal
- Loop-through connector: (2) 3-pin screw terminal
- Output Connector: (1) 3-pin screw terminal

### DMX512 Inputs/Output

- Input mode: Independently optically isolated
- Input isolation: 1 kV
- Input ESD protection: 15 kV
- Input voltage protection: +/- 80 V
- Output mode: ground referenced
- Output ESD protection: 15 kV
- Output voltage protection: +/- 80 V

### Package Contents

- Rail-Merge
- User Guide

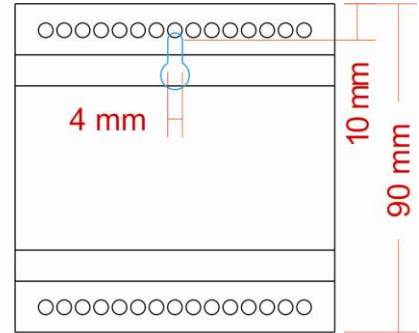
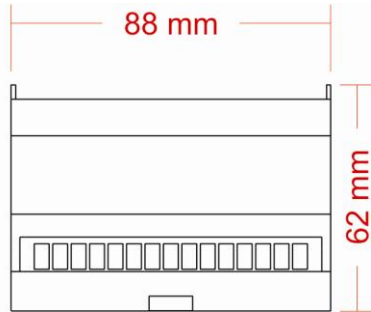
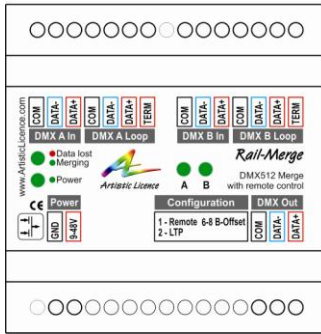
### Ordering Info

Product Code: Rail-Merge

Accessories (not included): PSU-9-1.5-FER

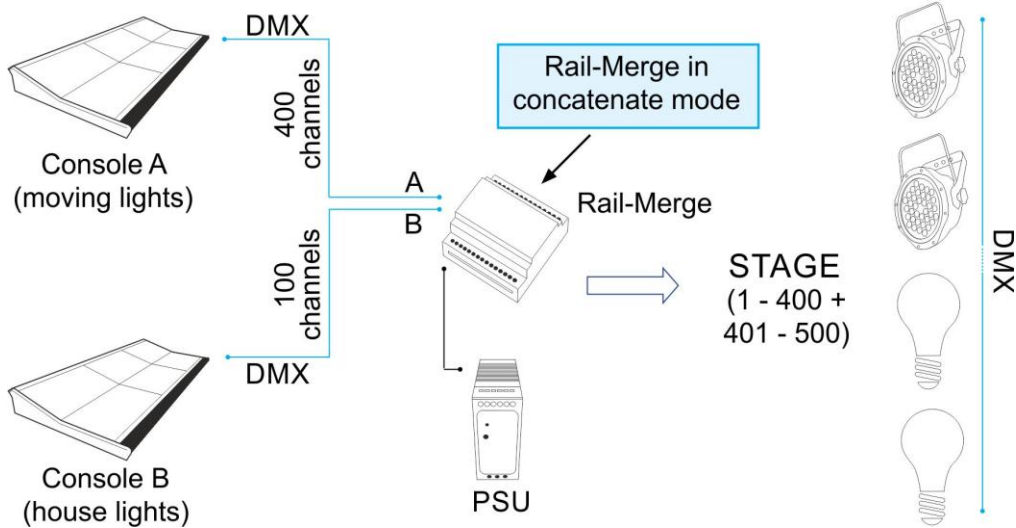


Mounting Drawing



Application Drawing

The diagram below shows how Rail-Merge could be utilised in a typical application. The product is operating in standalone mode and set to concatenate the A and B inputs.



Artistic Licence Engineering Ltd

Studio 1, Spectrum House  
32-34 Gordon House Road  
London, NW5 1LP  
United Kingdom

Telephone +44 (0)20 8863 4515  
Fax +44 (0)20 8426 0551  
Email: Sales@ArtisticLicence.com  
www.ArtisticLicence.com

Customer support and knowledge base:  
www.ArtisticLicence.com/support.html

All products are covered from date of purchase by a two-year return to base warranty.

Due to our policy of continuing product improvement, specifications are subject to change without notice.

**Artistic Licence**

