



Rail-PSU-D4

Category

E) Interface Products

Description

Four Circuit DALI Bus Power Supply



Mechanical

- Housing: DIN Rail Case
- Material: Lexan Plastic - UL94-V0 rated
- Overall Dimensions: 90mm (H) x 88mm (W) x 58mm (D)
- Mass: 0.2kg
- Mounting: 35mm DIN Rail or Surface Mount
- Country of Manufacture: United Kingdom

Power & Electrical

- Input Voltage: 24 VDC
- (1) 2-pin Screw Terminal DC Voltage Input
- (1) 2-pin Screw Terminal DC Voltage Loop
- Input Power (max): 25W
- Duty Cycle: 80% @ 25°C
- DC fuse: Internal resettable fuse for control electronics

Environmental

- Operating Temperature: 0°C to 40°C
- Storage Temperature: -10°C to +50°C
- Operating Relative Humidity (max): 80% Non-Condensing
- IP Rating: IP20 Indoor Use Only
- Certification: CE FCC, WEEE, RoHS
- Warranty: 2 Year (Return to Base)

LED Indication

- DALI Activity (per circuit)
- Input supply voltage
- DALI bus voltage

DALI Connections

- (4) 2-pin Screw Terminal DALI Input
- (4) 2-pin Screw Terminal DALI Loop

Outputs

- Voltage: 16V @ 250mA per circuit (4 no.)
- Current (max): 1A
- Internal resettable fuse: 350 mA per circuit (4 no.)

Package Contents

- Rail-PSU-D4
- User guide

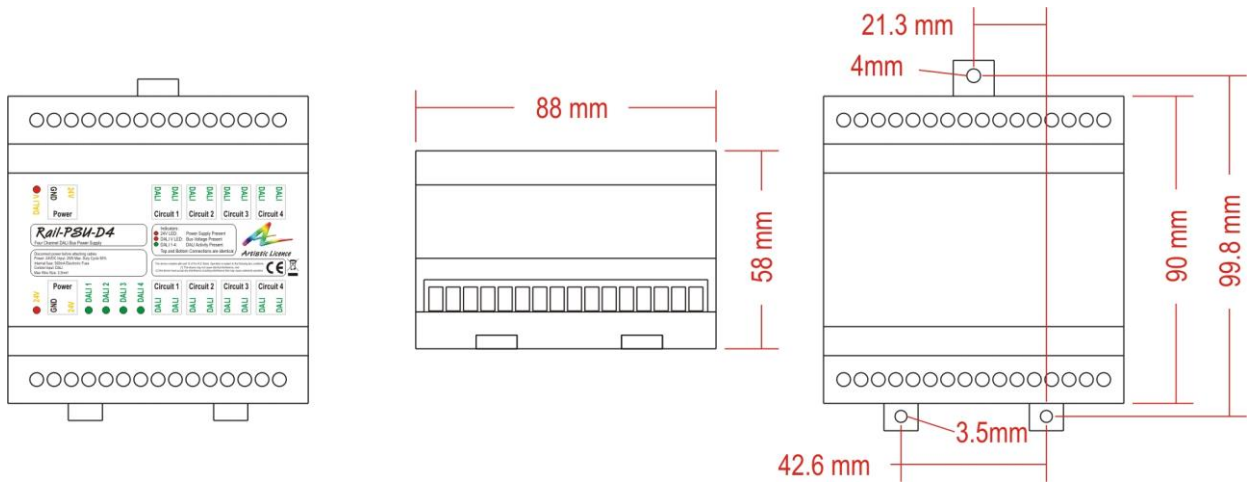
Ordering Info

Product Code: Rail-PSU-D4

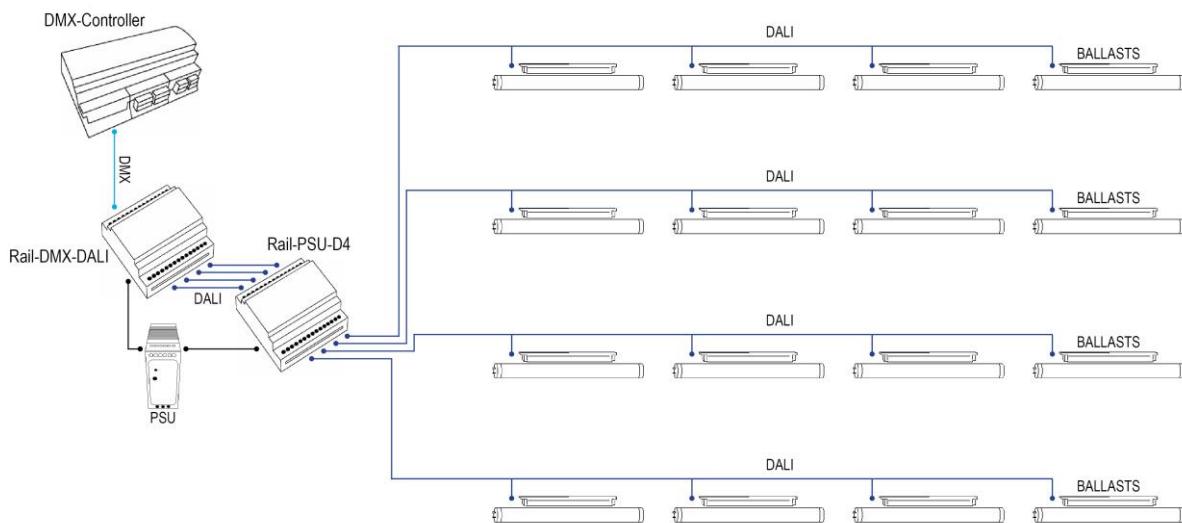
Accessories (not included): PSU-24-2-DR



Mounting Drawing



Application Drawing



www.ArtisticLicence.com

Artistic Licence, The Mould Making Workshop
Soby Mews, Bovey Tracey, TQ13 9JG, UK

Sales@ArtisticLicence.com
Support@ArtisticLicence.com
Tel: +44 (0) 20 8863 4515

Due to our policy of continuing product improvement specifications are subject to change without notice

