



## Rail-Sequence

### Category

F) Interface Products

### Description

6 Delayed-On Mains Relays



### Mechanical

- Housing: DIN Rail Case
- Material: Lexan Plastic - UL94-V0 rated
- Overall Dimensions: 90mm (H) x 88mm (W) x 58mm (D)
- Mass: 0.2kg
- Mounting: 35mm DIN Rail or Surface Mount
- Country of Manufacture: United Kingdom

### Electrical

- Input Voltage: 9V-24VDC
- Input Connector: Screw Terminal (2.5mm<sup>2</sup> max wire size)
- Input Power (max): 10W
- Duty Cycle: 80% @ 25°C

### Environmental

- Operating Temperature: 0°C to 40°C
- Storage Temperature: -10°C to +50°C
- Operating Relative Humidity (max): 80% Non-Condensing
- IP Rating: IP20 Indoor Use Only
- Certification: CE FCC, WEEE, RoHS
- Warranty: 2 Year (Return to Base)

### User Interface / Indication

- Connections:
  - (1) 2pin Screw Terminal DC Voltage Input
  - (6) 3pin Screw Terminal Relay Contacts
- Indication: Power / Status

### Control

- Control: Time-On Delay for Mains Relay
- Input Protocols: 1 Second Interval per Relay
- Input Connector: Relay Control
- Output Protocols: Relay Control
- Output Connector: Screw Terminal (2.5mm<sup>2</sup> max wire size)

### Isolation / Protection

- Protection:
  - Internal Resettable Fuse - Control Electronics
  - External Fuse Must be Used for Mains Voltages

### Package Contents

- Rail-Sequence
- User-Guide

### Ordering Info

Product Code: Rail-Sequence

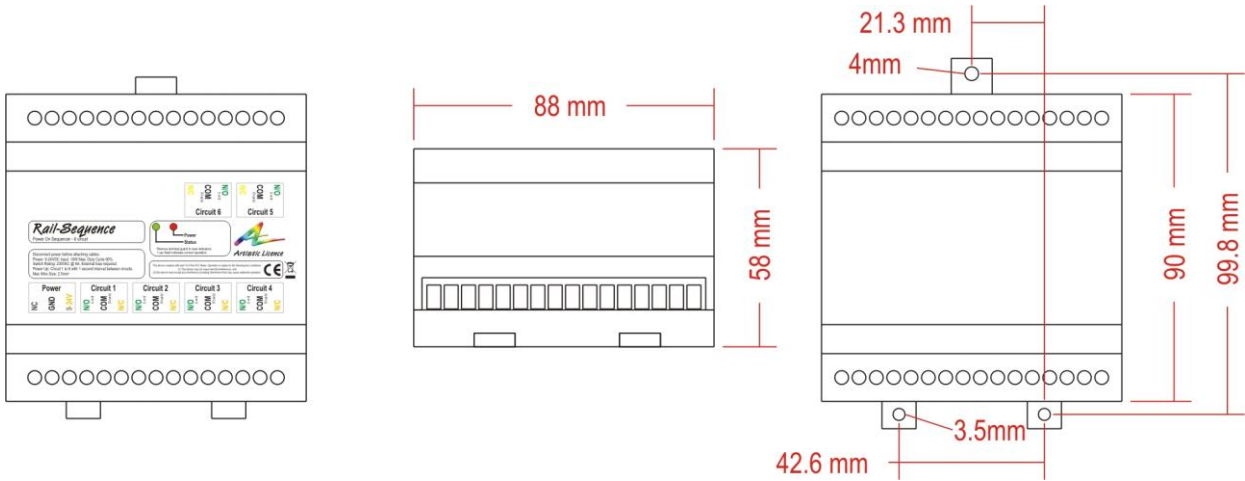
Accessories (not included):

PSU-9-1.5-FER

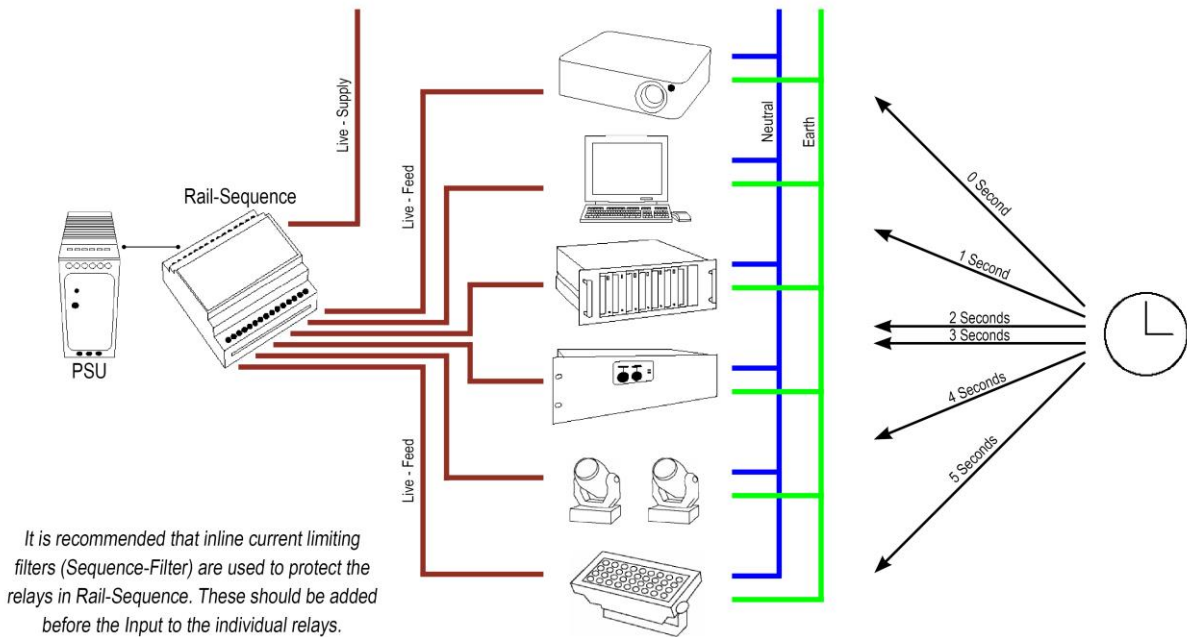
Sequence-Filter



## Mounting Drawing



## Wiring Drawing



### Artistic Licence Engineering Ltd

Studio 1, Spectrum House  
32-34 Gordon House Road  
London, NW5 1LP  
United Kingdom

Telephone +44 (0)20 8863 4515  
Fax +44 (0)20 8426 0551  
Email: [Sales@ArtisticLicence.com](mailto:Sales@ArtisticLicence.com)  
[www.ArtisticLicence.com](http://www.ArtisticLicence.com)

Customer support and knowledge base:  
[www.ArtisticLicence.com/support.html](http://www.ArtisticLicence.com/support.html)

All products are covered from date of purchase by a two-year return to base warranty.

Due to our policy of continuing product improvement, specifications are subject to change without notice.

