



## DMX-Protect XLR

### Category

A) DMX Splitters & Wireless DMX

### Description

Passive in-line protector designed to protect a DMX line from damage due to electrocution

### Mechanical

- Housing: Metal Desktop Case
- Material: Steel
- Overall Dimensions: 88mm (W) x 58mm (H) x 42mm (D)
- Mass: 0.2 kg
- Mounting: Free-standing or Surface Mounted
- Country of Manufacture: United Kingdom

### Power & Electrical

- Passive

### Environmental

- Operating Temperature: 0°C to 40°C
- Storage Temperature: -10°C to +50°C
- Operating Relative Humidity (max): 80% Non-Condensing
- IP Rating: IP20 Indoor Use Only
- Certification: CE, WEEE, RoHS
- Warranty: 2 Year (Return to Base)

### Data connections

- Input Connector: (1) 5-pin Male XLR
- Output Connector: (1) 5-pin Female XLR



### Control

- Control: 1 Port DMX & RDM in-line protector
- Input Protocols:
  - DMX512, DMX512(1990), DMX512-A
  - RDM V1.0 (E1.20 - 2006 ESTA Standard)
- Output Protocols: Same as input

### DMX Input & Output Protection

- IP & OP protected against continuous connection to 425 VAC
- IP & OP protected by gas discharge from static electrocution and lightning strike above 420 VDC

### Package Contents

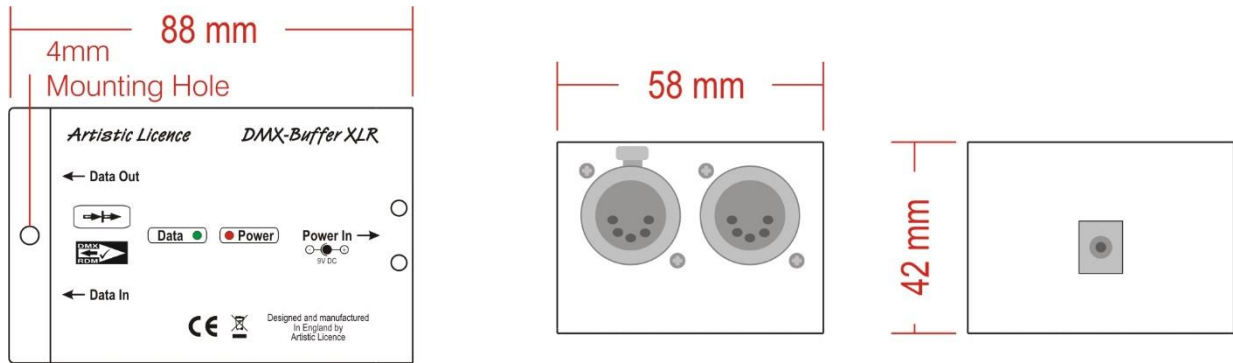
- DMX-Protect XLR
- User Guide

### Ordering Info

Product Code:  
DMX-Protect XLR

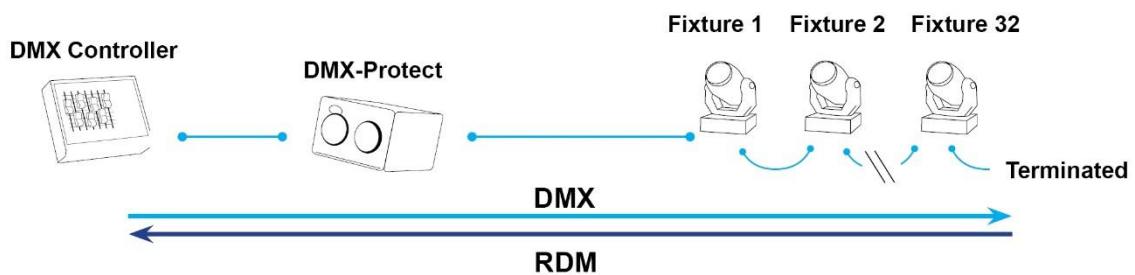


Mounting Drawing



Application Drawing

In the diagram below, DMX-Protect ensures that the DMX controller will not be damaged in the event of accidental mains connection or even lightning strike on the output circuit.



[www.ArtisticLicence.com](http://www.ArtisticLicence.com)

Artistic Licence, The Mould Making Workshop  
Soby Mews, Bovey Tracey, TQ13 9JG, UK

Sales@ArtisticLicence.com  
Support@ArtisticLicence.com  
Tel: +44 (0) 20 8863 4515

*Due to our policy of continuing product improvement specifications are subject to change without notice*

