



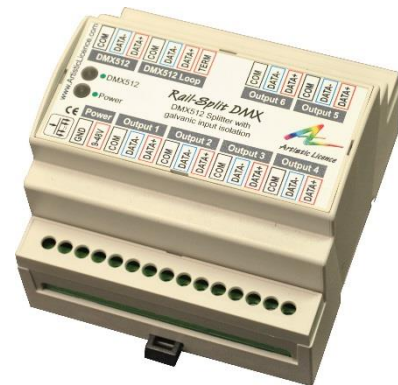
## Rail-Split DMX

### Category

A) DMX Splitters & Wireless DMX

### Description

6 port DMX512 splitter, housed in a DIN Rail Enclosure.



### Mechanical

- Housing: DIN Rail Case
- Material: Lexan Plastic - UL94-V0 rated
- Overall Dimensions: 88mm / 5M (W) x 90mm (H) x 62mm (D)
- Mass: 0.2kg
- Mounting: 35mm DIN Rail or Surface Mount
- Country of Manufacture: United Kingdom

### Power & Electrical

- Input Voltage: 9-48 VDC
- Input Connector: (1) 2-pin screw terminal
- Input Power (max): 8W
- Duty Cycle: 100% @ 25°C
- DC fuse: internal resettable fuse for control electronics

### Environmental

- Operating Temperature: 0°C to 40°C
- Storage Temperature: -10°C to +50°C
- Operating Relative Humidity (max): 80% Non-Condensing
- IP Rating: IP20 Indoor Use Only
- Certification: CE FCC, WEEE, RoHS
- Warranty: 2 Year (Return to Base)

### LED Indication

- Power / DMX

### Control / Data connections

- Control: 6 Port DMX Splitter
- Input Protocols: DMX512, DMX512(1990), DMX512-A
- Output Protocols: Same as input
- Input connector: (1) 3-pin screw terminal
- Loop-through connector: (1) 3-pin screw terminal
- Output Connector: (6) 3-pin screw terminal

### DMX512 Input/Outputs

- Input & Loop mode: Optically isolated
- Input & Loop isolation: 1 kV
- Input & Loop ESD protection: 12 kV
- Input & Loop voltage protection +/- 80 V
- Output mode: ground referenced
- Output ESD protection: 10 kV
- Output voltage protection +/- 10 V

### Package Contents

- Rail-Split DMX
- User Guide

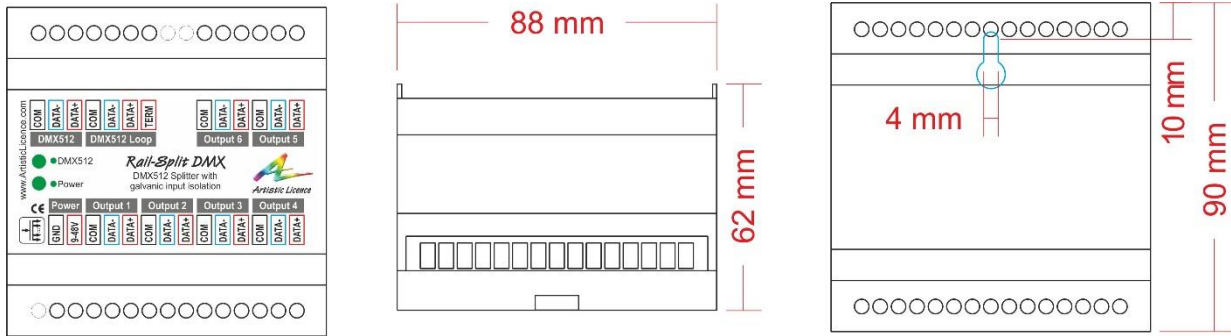
### Ordering Info

Product Code: Rail-Split DMX

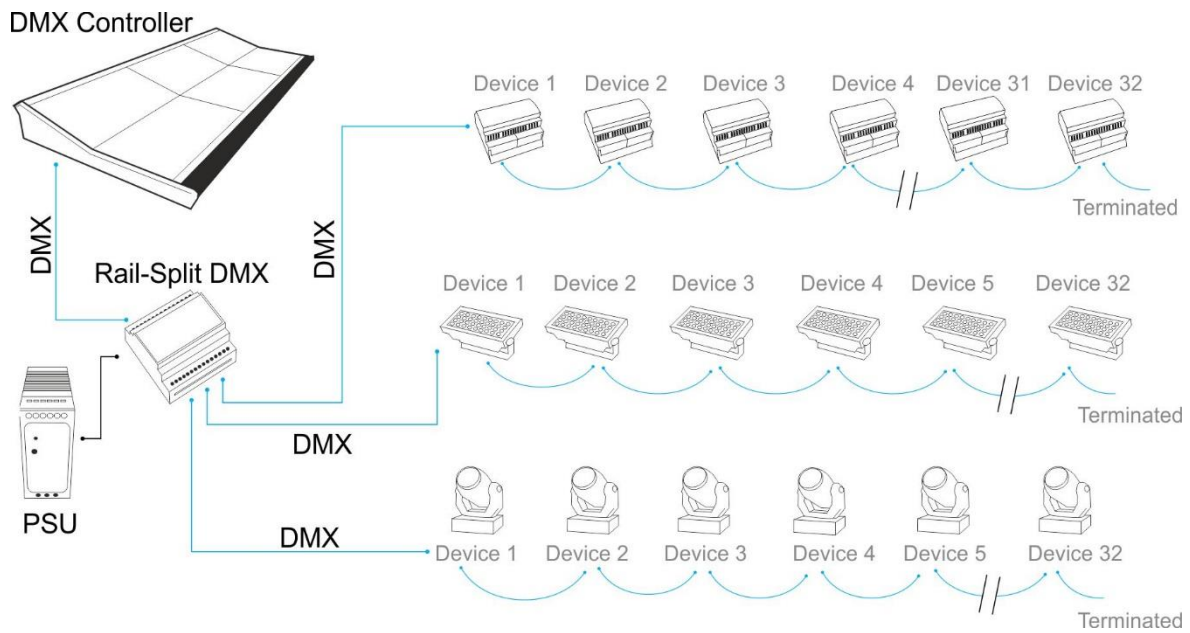
Accessories (not included): PSU-9-1.5-FER



Mounting Drawing



Application Drawing



[www.ArtisticLicence.com](http://www.ArtisticLicence.com)

Artistic Licence, The Mould Making Workshop  
Soby Mews, Bovey Tracey, TQ13 9JG, UK

Sales@ArtisticLicence.com  
Support@ArtisticLicence.com  
Tel: +44 (0) 20 8863 4515

*Due to our policy of continuing product improvement specifications are subject to change without notice*

