



## *versaSplit mono ethb-5*

### Category

A) DMX Splitters and B) Art-Net and sACN

### Description

Rack-mount modular Art-Net/sACN-to-DMX512 & RDM converter with ten XLR5 outputs. Converts up to one universe.



### Mechanical

- Housing: 19" 1U Rack Enclosure
- Material: Metal
- Overall Dimensions: 1RU (H) x 19" Rack (W) x 227mm (D)
- Mass: 2.28kg
- Mounting: 19" Rack Mount with rack ears supplied
- Country of Manufacture: United Kingdom

### Power & Electrical

- Input Voltage: 90 - 250 VAC
- Input Connector: IEC
- Input Power (max): 250W
- Duty Cycle: 80% @ 25°C
- Mains Fuse: 3.15A Slow Blow

### Environmental

- Operating Temperature: 0°C to 40°C
- Storage Temperature: -10°C to +50°C
- Operating Relative Humidity (max): 80% Non-Condensing
- IP Rating: IP20 Indoor Use Only
- Certification: CE, WEEE, RoHS
- Warranty: 2 Year (Return to Base)

### Configuration / Indication

- Remote: internal web-server or DMX-Workshop
- LED indicators on ETHB module: Status/Net/DMX

### Control / Data Connections

- Ethernet Protocols: Art-Net, sACN, RDMnet LLRP
- Input Connector: (1) RJ45 (Ethercon) supports 10/100BaseT, isolated to 1 kV
- Output Protocols: DMX512, DMX512(1990), DMX512-A, RDM
- Output Connector: (10) 5-pin female XLR

### DMX512 Outputs

- Output mode: ground referenced
- Output ESD protection: 12kV
- Output voltage protection: +/- 80V
- Output conditioning: slew-rate limited

### Package Contents

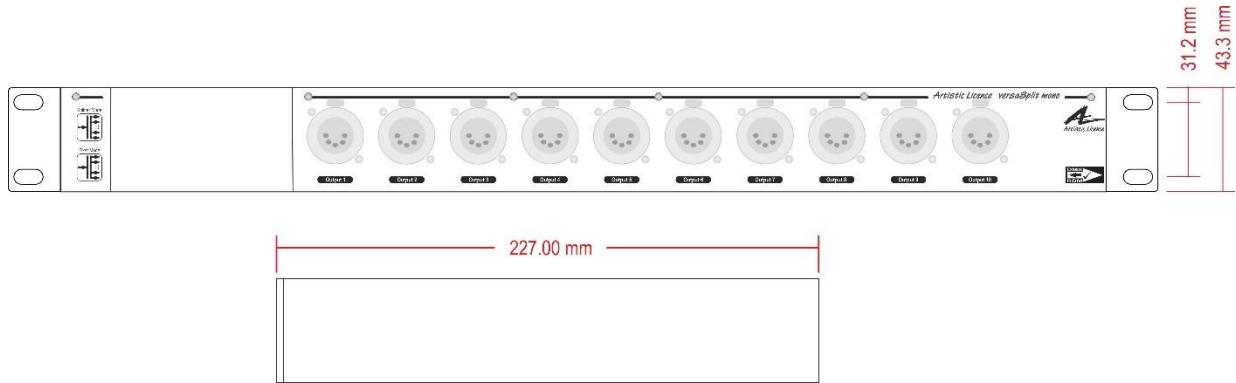
- versaSplit mono
- (1) Ethernet input module B
- IEC mains lead
- Rack ears

### Ordering Info

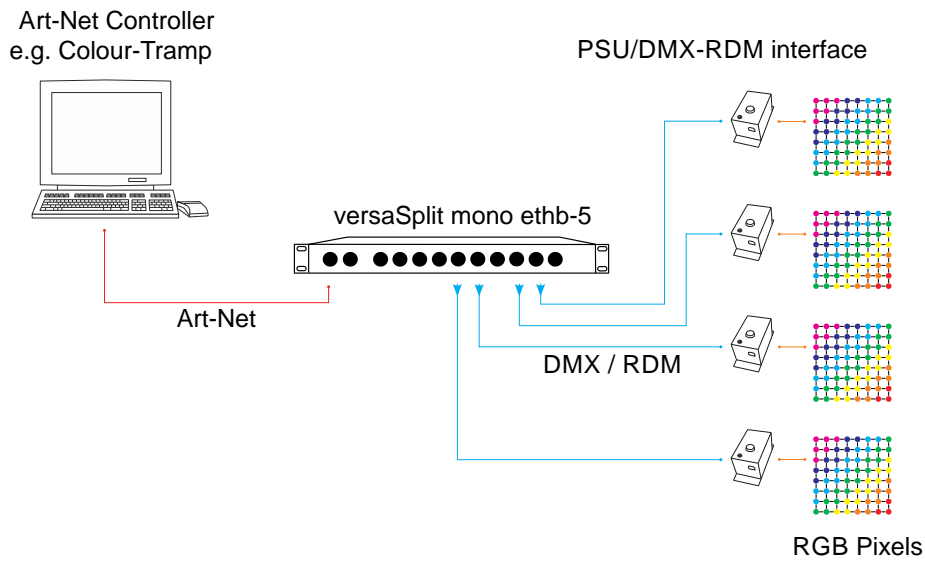
Product Code: vSplit mono ethb-5



Mounting Drawing



Application Drawing



In this example, versaSplit mono ethb-5 converts an Art-Net show programme into DMX/RDM for consumption by intelligent PSUs on outputs 5, 6, 8 & 9, which drive four panels of RGB pixels.



[www.ArtisticLicence.com](http://www.ArtisticLicence.com)

Artistic Licence, The Mould Making Workshop  
Soby Mews, Bovey Tracey, TQ13 9JG, UK

Sales@ArtisticLicence.com  
Support@ArtisticLicence.com  
Tel: +44 (0) 20 8863 4515

*Due to our policy of continuing product improvement specifications are subject to change without notice*

