

# *matisse f6 dmx*

User Guide



Please read these instructions before using the product.

This product has been designed & manufactured for professional use only. It should only be installed by a suitably qualified technician and in accordance with electrical regulations in the country of use.

Unless directed in the instructions there are no user serviceable parts inside the outer case of this product.

Always disconnect from the power supply when not in use.

Any specific IP rating, where appropriate, is given in the instructions. Unless otherwise stated this product is designed for indoor use only. If used outdoors it **MUST** be installed in an appropriate IP rated cabinet. Do not allow this product to be exposed to rain or moisture. Do not allow liquid to penetrate the product.

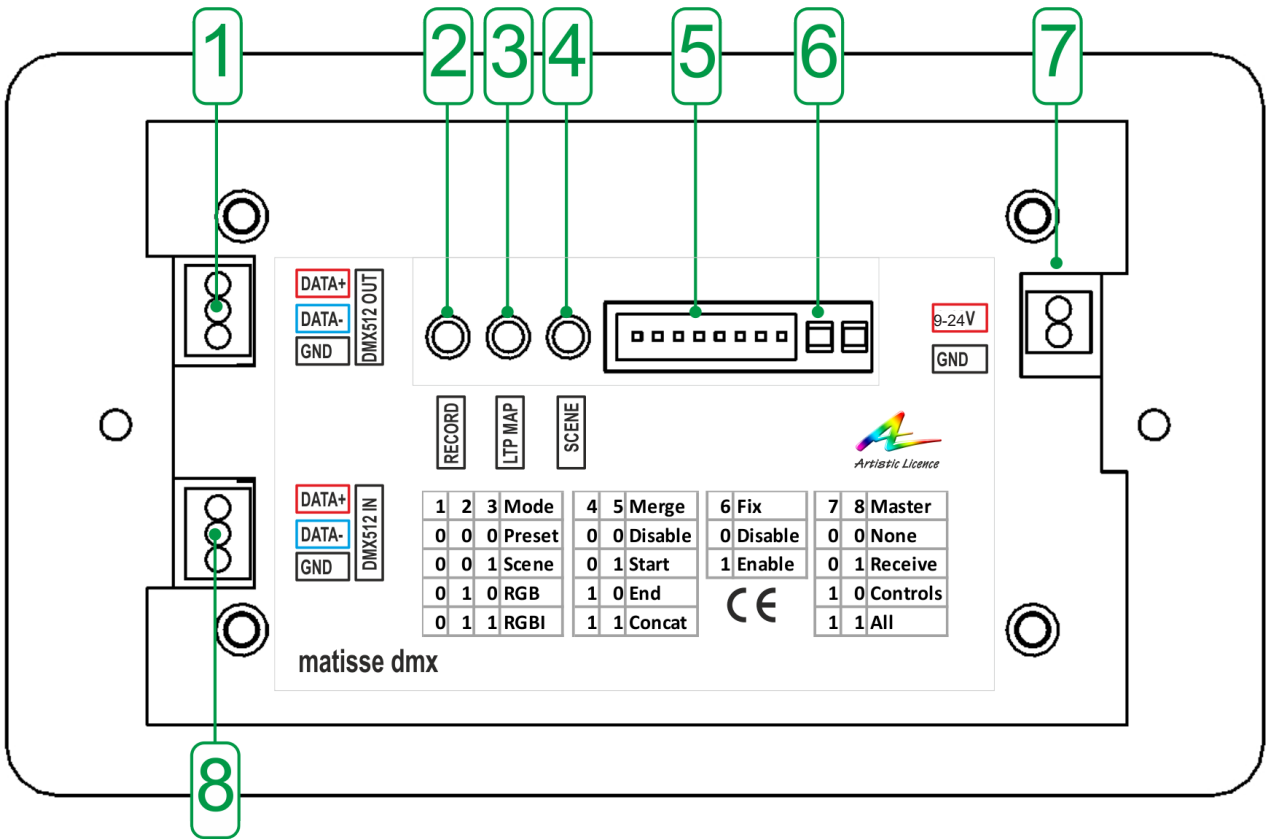
Please recycle all packaging.

Copyright © Artistic Licence Engineering Ltd. All rights reserved.

Download the user guide by scanning the following QR code:



# Connections

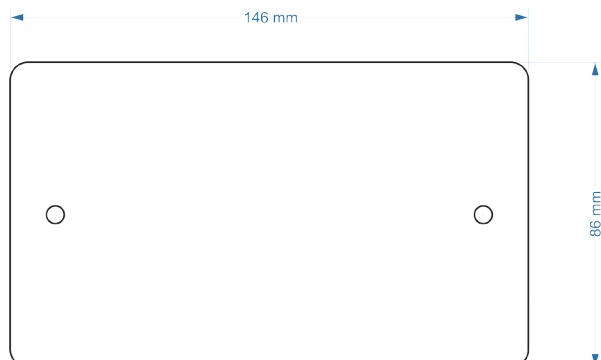


Ref.	Type	Description
1	Data Connection	DMX output
2	Programming	Record button
3	Programming	LTP map button
4	Programming	Scene button
5	Mode Configuration	DIP switches
6	LED indication	DMX/ Programming/Mode change
7	Power Connection	9-24 VDC
8	Data Connection	DMX input

# Mounting Diagram

The product depth is 24mm so it will fit in a minimum 35mm back box. A 47mm backbox is recommended.

The product is mounted to a flat front panel constructed of 1mm steel and finished in semi-gloss RAL7043 "Traffic Grey". Custom panel finish and silk screen is available to special order.



## Product Overview

The matisse f6 dmx is a multi-function DMX controller with 6 faders. It is presented in a standard wall panel. All the electronics are mounted on the rear of the panel, so there is no need for external control boxes.

Depending on the operational mode chosen, each fader can control a single output channel (preset mode) or RGBI colour (hue fader mode). Additionally, in scene mixer mode, each fader can playback a 512 channel scene; the scenes can be mixed together with the faders operating as master faders. LTP/HTP can be programmed on a per channel basis.

Other features include the ability to merge the output of the product onto received DMX512, and to use the far right-hand fader as a grand master.

An external source of DMX512 is required for scene mixer programming. All configuration or programming is achieved with a simple set of configuration switches on the rear panel.

---

## Summary of Key Features

- Wall mount DMX controller
- DMX512 output
- 6 illuminated faders
- 512 channel output
- Grand master control
- Multiple functions including preset, scene mixer, hue fader and merge mode
- Supports data merging (LTP/HTP) and data fixing
- Simple DIP switch configuration
- Easy push-button programming - no external software required
- Link multiple panels to one DMX cable
- Custom panel finish and silk screen available on special order
- External 9-24 VDC PSU required

## Connections

The DMX input and output use 3-pin screw terminals. Please refer to the connections diagram.

## Power

matisse f6 dmx is powered from an external DC power supply (9-24 VDC). We recommend the PSU-9-1.5-FER. It is recommended that a ferrite core be fitted onto the DC power lines as close as possible to the product. This protects the unit from any electrical spikes that appear on the DC line.

## LED Indication

matisse f6 dmx has an LED indicator on the back of the product which gives the following informational messages:

- Constant green = Normal operation and DMX is being received
- Flashing green = Normal operation and no DMX is being received
- Constant red = Programming button is pressed
- Pulse red and green = Programming operation completed
- Pulse red = Mode changed by DIP switch or loss of DMX

## Operational modes

matisse f6 dmx can operate in a number of modes, determined by the DIP switch settings (see page 6).

---

### Preset mode

In preset mode, each fader controls a single output channel.

---

### Scene Mixer

A full 512 channel scene can be recorded onto each of the faders. These scenes can then be mixed together with the faders operating as master faders.

Mixing operates in either LTP or HTP mode, which is selected on a channel by channel basis.

---

### Hue Fader

In Hue mode, each fader controls either three (RGB) or four (RGBA) channels for colour control. The fader selects all possible hues while holding the saturation and intensity constant.

---

### Grand Master

The right most fader (no. 6) can be set to operate as a Grand Master for the preceding faders, the DMX512 input or both.

---

### Data Fix mode

In this mode, the output speed of the DMX512 is slowed and 512 channels are transmitted.

## Programming

To record a scene to be played back by the six faders:

- Set the product to scene mixer mode.
- Setup the required scene on the DMX input.
- Push all faders down and then put the fader you wish to record to full. (Push up

multiple faders to record to more than one).

- Hold down the record button (red LED comes on).
- Press and release the Scene button (red & green pulse for half a second to confirm).

The LTP map is used to define which channels are LTP vs HTP for Scene Mixer mode.

To record the LTP map:

- Setup the DMX input such that all channels to be HTP are at zero and all LTP channels are at full.
- Hold down the record button (red LED comes on).
- Press and release the LTP button (red & green pulse for one second to confirm).

When the record button is held down (all modes) the received DMX is output directly. This is useful to preview before recording.

The factory default is all channels set to HTP and each scene with channels 1 to 6 at full. This means that six-channel preset and scene mixer modes operate identically until user programming has occurred.

## DIP switch settings

Operating Mode			
SW1	SW2	SW3	Description
Off	Off	Off	Six channel preset
Off	Off	On	Scene mixer
Off	On	Off	RGB Hue faders
Off	On	On	RGBI Hue faders

Merge		
SW4	SW5	Description
Off	Off	Merge disabled
Off	On	Merge over channel 1 of received DMX. Example: Received DMX has 7 channels. We are in 6-channel preset mode. Our 6 faders will output on channels 1-6.
On	Off	Merge over end of received DMX. Example: Received DMX has 7 channels. We are in 6-channel preset mode. Our 6 faders will output on channels 2-7.
On	On	Concatenate received DMX. Example: Received DMX has 7 channels. We are in 6-channel preset mode. Our 6 faders will output on channels 8-13.

Fix	
SW6	Description
Off	Fix disabled
On	Fix active - force transmit of all 512 channels at lower refresh rate

Master		
SW7	SW8	Description
Off	Off	No master
Off	On	Fader 6 used as master for received DMX
On	Off	Fader 6 used as master for faders 1-5
On	On	Fader 6 used as master for received DMX and faders 1-5

# matisse f6 dmx Specification

<b>Mechanical</b> <ul style="list-style-type: none"><li>• Housing: UK '2-gang' style panel with 35mm or 47mm (recommended depth) backbox (not supplied)</li><li>• Overall dimensions: 86 mm (H) x 146 mm (W) x 24 mm (D)</li><li>• Mounting screw centres: 120 mm</li><li>• Mass: 0.2 kg</li><li>• Country of manufacture: UK</li></ul>	<b>Control</b> <ul style="list-style-type: none"><li>• Input Protocols: DMX512, DMX512 (1990), DMX512-A</li><li>• Output Protocols: Same as input</li></ul>
<b>Environmental</b> <ul style="list-style-type: none"><li>• Operating temperature: 0°C to 40°C</li><li>• Storage temperature: -10°C to +50°C</li><li>• Operating relative humidity (max): 80% non-condensing</li><li>• IP rating: IP20 indoor use only</li><li>• Certification: CE, WEEE, RoHS</li><li>• Warranty: 2-year (return to base)</li></ul>	<b>Data Connections</b> <ul style="list-style-type: none"><li>• Input - 3-pin screw terminals (1 no.)</li><li>• Output - 3-pin screw terminals (1 no.)</li></ul>
<b>Power &amp; Electrical</b> <ul style="list-style-type: none"><li>• Input voltage: 9-24 VDC</li><li>• Input connector: 2-pin screw terminal DC voltage input (1 no.)</li><li>• Input power (max): 1W</li><li>• Duty cycle: 100% @ 25°C</li></ul>	<b>LED Indication</b> <ul style="list-style-type: none"><li>• DMX present / Programming / Mode change</li></ul>
<b>User Interface / Indication</b> <ul style="list-style-type: none"><li>• Illuminated faders (6 no.)</li></ul>	<b>Configuration</b> <ul style="list-style-type: none"><li>• DIP switches and programming buttons</li></ul>
<b>DMX512 Input &amp; Output</b> <ul style="list-style-type: none"><li>• Output mode: ground referenced</li><li>• Output isolation: n/a</li><li>• Output ESD protection: 15 kV</li><li>• Electrocutation protection: 425 VAC continuous (self-healing)</li></ul>	<b>Package Contents</b> <ul style="list-style-type: none"><li>• matisse f6 dmx</li></ul>
	<b>Ordering Info</b> <ul style="list-style-type: none"><li>• Product code: matisse f6 dmx</li></ul>
	<b>Accessories</b> <ul style="list-style-type: none"><li>• Mounting: Back-Box1</li><li>• Power supply: PSU-9-1.5-FER</li></ul>

## CE Compliance



matisse f6 dmx is CE compliant

---

## Warranty

All products are covered from date of purchase by a two-year return to base warranty.

By return to base, we mean that the customer is responsible for all costs of transport to and from Artistic Licence.

Returns will not be accepted without prior authorisation. In order to discuss a request to return goods, please email:

[Sales@ArtisticLicence.com](mailto:Sales@ArtisticLicence.com)

---

## Compliance

All Products manufactured or sold by Artistic Licence Engineering Ltd are fully compliant with the appropriate CE and RoHS regulations. Product specific information is available on request.

## Waste Electrical & Electronic Equipment (WEEE)

Artistic Licence is a member of a WEEE compliance scheme and will happily recycle any of our products that you, at your expense, return to us.



### Artistic Licence

The Mould Making Workshop  
Soby Mews  
Bovey Tracey  
TQ13 9JG  
United Kingdom

Telephone +44 (0) 20 8863 4515

Email: [Sales@ArtisticLicence.com](mailto:Sales@ArtisticLicence.com)

Web: [www.ArtisticLicence.com](http://www.ArtisticLicence.com)

[Support@ArtisticLicence.com](mailto:Support@ArtisticLicence.com)

Due to our policy of continuing product improvement specifications are subject to change without notice

